

**Fragtsikkerheds Eksperten - www.tyden.dk**

- A - Stock item generically marked.
- B - Locally marked in house
- C - Factory manufactured and marked.**
- D - Price and delivery on application (long lead item).

**Seal applications**

- Fire extinguishers
- Vending Machines
- Inflight service equipment
- Postage Meters
- Pharmacy boxes/cabinets
- Security Bags

**Features**

Suitable for a wide range of applications, especially small apertures no less than .078" (1.98mm) in diameter.  
Economic Unit Price.  
Double wall locking chamber protects locking mechanism from tampering.  
Available with or without flag  
All seals are in matt form; 5 seals per mat.

**Materials**

Polypropylene.

**Strength Characteristics**

Average pull apart force for polypropylene is 11-14lbs (5-7 kg).

**Dimensions**

Overall length 127mm (5") x 1.9mm (.074")

**Marking/print**

Lasered with logo and consecutive numbers; barcoding available on yellow and white seals (6 digits max)  
Name or logo can be molded in flag.  
Flag-less version: embossed (4 characters) on barrel.

**Colours**



Red / Yellow / White / Blue / Green / Orange

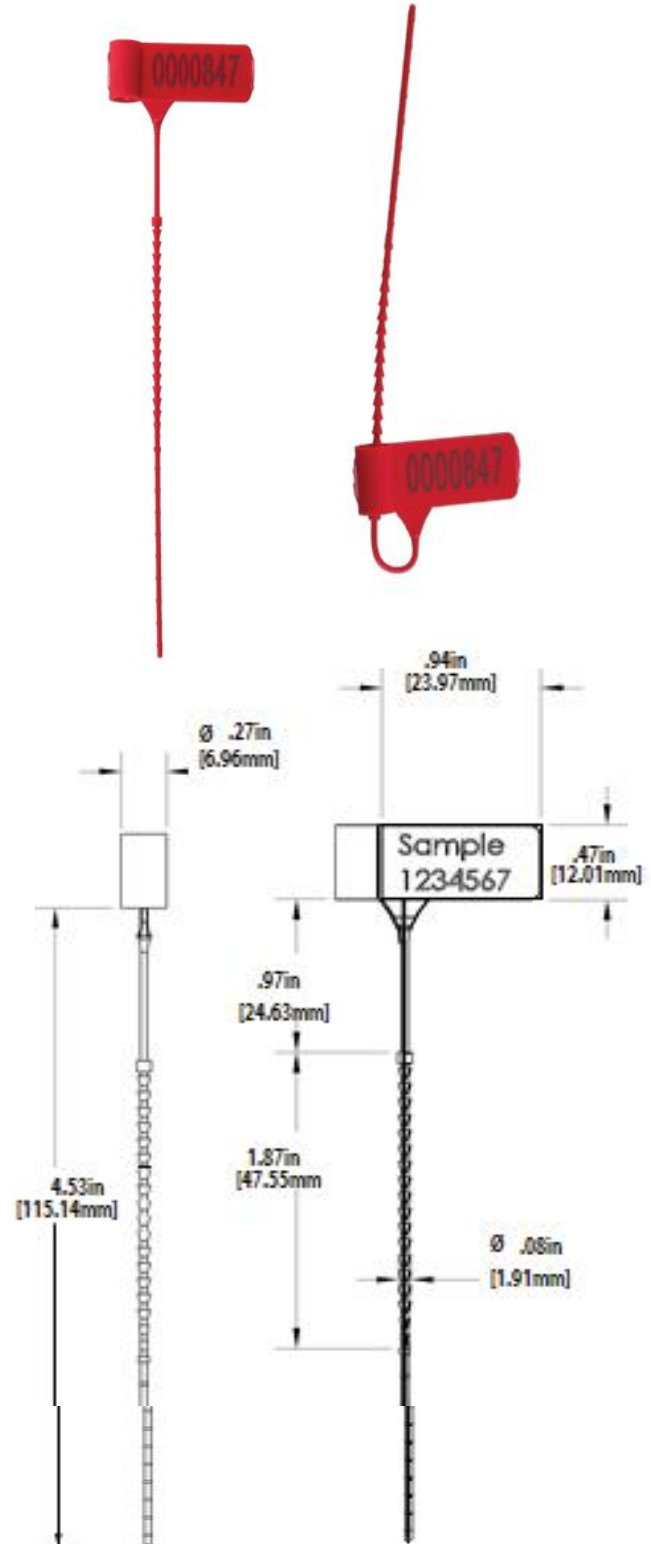
**Packaging details**

Standard Packaging: 100/Bag – 5000/Carton  
Carton Dimensions: 11.5" x 9" x 5.5" (29cm x 22.5cm x 14cm)

Carton Weight: Gross: 3 lbs (1 kg) Net: 2 lbs (1 kg)

Kan leveres med flag eller uden flag - min. ordre er 50.000 stk.

The Mini-Fly is an economical all plastic, adjustable length security seal with a thin tail that will fit small apertures. It is available flagged or with no flag and can be laser decorated.



Mini Fly Security Seal

Mini Fly Fire extinguisher seal